

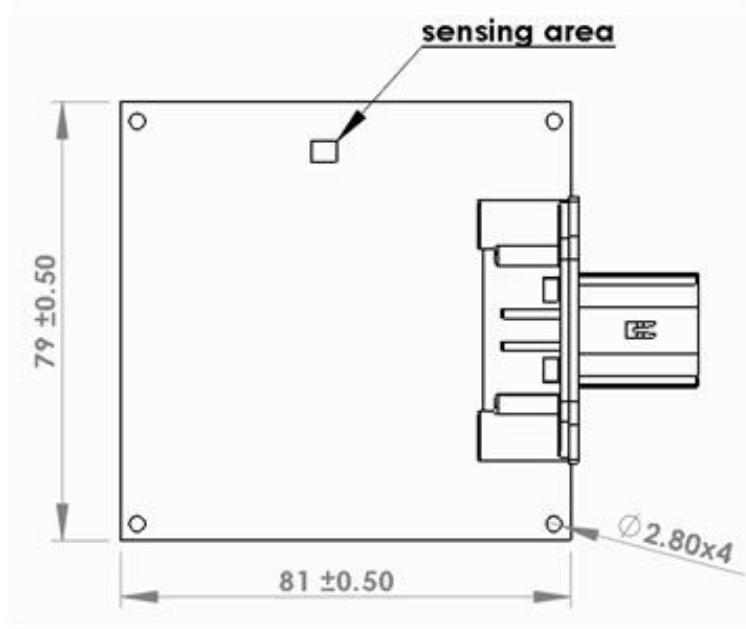


High precision and high speed response 2D positioning sensor which gives an incident beam position in the (x,y) format. High results uniformity over the full sensor range. Extremely low dark current and large operation spectral range (400-1100nm). Includes an improved tetra-lateral Hamamatsu sensor for superior position detection.

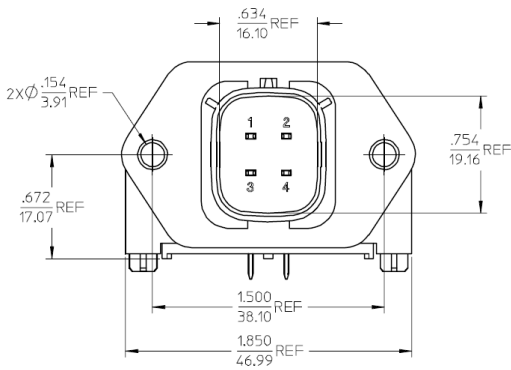
Available in two sensor sizes: 4x4mm (PS4) y 9x9 (PS9). Communication options include CAN, USB and RS232.

Applications: beam position, pointing and power measurements, applications requiring varying beam positions or angles...

Absolute maximum rating (Ta = 25°C)			
Parameter	Symbol	Value	Unit
Maximum Input Voltage	Vi	28	V
Operation Temperature	Top	-20 to 60	°C
Storage Temperature	Tstg	-20 to 80	°C
Maximum DNI input	DNI_max	1200	W/m ²
Minimum DNI Input	DNI_min	400	W/m ²
Resolution PS4	Δmin	0.1	mm
Resolution PS9	Δmin	0.2	mm



Connector CAN



Pin #	Function
1	Vi
2	CAN High
3	CAN Low
4	GND

The information described in this document is current as of November 2013.

This document has been carefully prepared and the information contained is believed to be accurate. In rare cases, however, there may be inaccuracies such as text errors. Product specifications are subject to change without prior notice due to improvements or other reasons. Before using these products, always contact us for the delivery specification sheet to check the latest specifications.

Copying or reprinting the contents described in this document in whole or in part is prohibited without our prior permission.